

DM-TX-4KZ-202-C/DM-TX-4KZ-302-C DigitalMedia 8G+® 4K60 4:4:4 HDR Transmitters

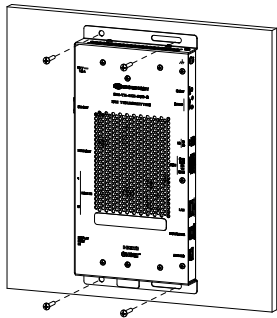
DO Install the Device

The Crestron® DM-TX-4KZ-202-C and DM-TX-4KZ-302-C can be mounted onto a flat surface or onto a rack rail.

Mounting onto a Flat Surface

Using four mounting screws (not included), mount the device onto a flat surface such as a wall or a ceiling.

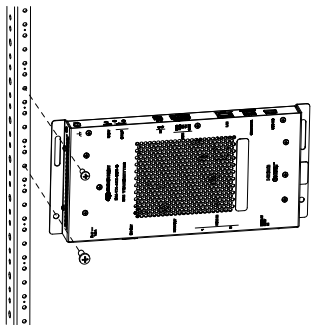
Mounting onto a Wall



Mounting onto a Rack Rail

The DM-TX-4KZ-202-C and DM-TX-4KZ-302-C mount onto the front or rear rail of a rack. Position either the left or right mounting flange of the device so that the holes align with the holes in the rack. Then, secure the device to the rack using two rack mounting screws (not included).

Mounting onto a Rack Rail



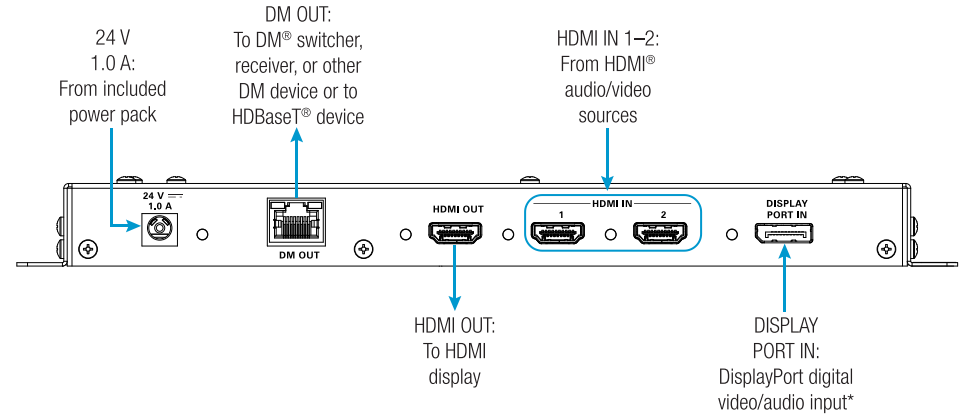
DO Check the Box

QTY	PRODUCT	PART NUM.
1	Connector, 2-Pin	2003574
1	Connector, 5-Pin	2003577
1	Power Pack, 24 Vdc 1.25 A, 100-240 Vac	2045870

DO Connect the Device

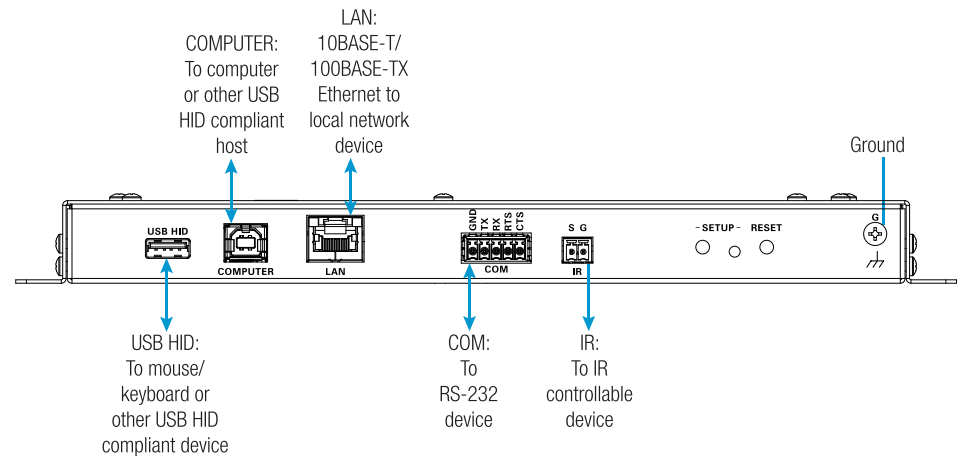
Connect the device as required for the application.

Connections, Left Side (DM-TX-4KZ-302-C Shown)



*DISPLAY PORT IN is available on the DM-TX-4KZ-302-C only.

Connections, Right Side



NOTE: The DM OUT port is a PoDM+ powered device (PD) port and is also compatible with HDBaseT® PoE+. To receive PoDM+, the device requires connection to a DigitalMedia™ switcher or other equipment that has a corresponding PoDM+ power sourcing equipment (PSE) port. To receive HDBaseT PoE+, the device requires connection to equipment that has a corresponding HDBaseT PoE+ PSE port. Connection to the included power pack is not required when PoDM+ or HDBaseT PoE+ is used to power the device.

Any wiring that is connected to a PoDM+ or HDBaseT PoE+ PSE port is for intrabuilding use only and should not be connected to a line that runs outside of the building in which the PSE is located.

NOTE: The LAN port can connect to an Ethernet switch only if the DM OUT port does not connect to a DigitalMedia switcher.

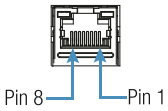
For information about DM OUT and LAN connector wiring, refer to the following illustrations.

DM OUT Connector Wiring



PIN NUM.	WIRE COLOR	PIN NUM.	WIRE COLOR
1	Orange/White	5	Blue/White
2	Orange	6	Green
3	Green/White	7	Brown/White
4	Blue	8	Brown

LAN Connector Pin Assignments



PIN NUM.	SIGNAL	PIN NUM.	SIGNAL
1	TX+	5	N/C
2	TX-	6	RX-
3	RX+	7	N/C
4	N/C	8	N/C

DO Set the IP Address

The configuration of the transmitter within the DigitalMedia 8G+® system determines how the IP address of the transmitter is set:

- If the transmitter connects to a DigitalMedia switcher, the transmitter is configured by the switcher automatically.
- If the transmitter connects to a DigitalMedia 8G+ receiver, the transmitter uses its own configuration settings. By default, DHCP is enabled. If assignment of the default IP address to the transmitter is desired, hold down the **SETUP** button while the unit boots up. The default IP address overwrites the current setting. The default IP address of the DM-TX-4KZ-202-C is 192.168.1.251. The default IP address of the DM-TX-4KZ-302-C is 192.168.1.252. To manually set a different IP address, use Crestron Toolbox™ software.

DO Learn More

Visit the website for additional information and the latest firmware updates. To learn more about this product, use a QR reader application on your mobile device to scan the QR image.

Crestron Electronics
15 Volvo Drive, Rockleigh, NJ 07647
888.CRESTRON | www.crestron.com

DM-TX-4KZ-202-C



DM-TX-4KZ-302-C



As of the date of manufacture, the product has been tested and found to comply with specifications for CE marking.



This product is Listed to applicable UL® Standards and requirements tested by Underwriters Laboratories Inc. Ce produit est homologué selon les normes et les exigences UL applicables par Underwriters Laboratories Inc.

This unit is for indoor use only. It is not intended for outdoor use.

Cet appareil est réservé à une utilisation en intérieur. Il n'est pas destiné à une utilisation en extérieur.

Federal Communications Commission (FCC) Compliance Statement

This device complies with part 15 of the FCC Rules. Operation is subject to the following two conditions:

(1) This device may not cause harmful interference, and (2) this device must accept any interference received, including interference that may cause undesired operation.

CAUTION: Changes or modifications not expressly approved by the manufacturer responsible for compliance could void the user's authority to operate the equipment.

NOTE: This equipment has been tested and found to comply with the limits for a Class B digital device, pursuant to part 15 of the FCC Rules. These limits are designed to provide reasonable protection against harmful interference in a residential installation. This equipment generates, uses and can radiate radio frequency energy and, if not installed and used in accordance with the instructions, may cause harmful interference to radio communications. However, there is no guarantee that interference will not occur in a particular installation.

If this equipment does cause harmful interference to radio or television reception, which can be determined by turning the equipment off and on, the user is encouraged to try to correct the interference by one or more of the following measures:

- Reorient or relocate the receiving antenna.
- Increase the separation between the equipment and receiver.
- Connect the equipment into an outlet on a circuit different from that to which the receiver is connected.
- Consult the dealer or an experienced radio/TV technician for help.

Industry Canada (IC) Compliance Statement

CAN ICES-3(B)/NMB-3(B)

The specific patents that cover Crestron products are listed at www.crestron.com/legal/patents.

The product warranty can be found at www.crestron.com/legal/sales-terms-conditions-warranties.

Certain Crestron products contain open source software. For specific information, visit www.crestron.com/legal/open-source-software.

Crestron, the Crestron logo, Crestron Toolbox, DigitalMedia, DigitalMedia 8G+, and DM are either trademarks or registered trademarks of Crestron Electronics, Inc. in the United States and/or other countries. HDBaseT and the HDBaseT Alliance logo are either trademarks or registered trademarks of the HDBaseT Alliance in the United States and/or other countries. HDMI and the HDMI logo are either trademarks or registered trademarks of HDMI Licensing LLC in the United States and/or other countries. UL and the UL logo are either trademarks or registered trademarks of Underwriters Laboratories, Inc. in the United States and/or other countries. Other trademarks, registered trademarks, and trade names may be used in this document to refer to either the entities claiming the marks and names or their products. Crestron disclaims any proprietary interest in the marks and names of others. Crestron is not responsible for errors in typography or photography.

This document was written by the Technical Publications department at Crestron.

©2017 Crestron Electronics, Inc.