

## Crestron® Flex Video Conference System Integrator Solution for Microsoft Teams™ Rooms

The Crestron® Flex UC Video Conference System Integrator Solution for Microsoft Teams™ Rooms ([UC-C160-T](#)) delivers a powerful, professional solution for knowledge workers who want the Microsoft Teams software experience in small to midsize meeting and conference rooms. The UC-C160-T allows the installer to select audio and camera hardware dictated by the room.

### Minimum Requirements

- A video display, connected to the UC-ENGINE. The system supports a second display if desired.
- A Microsoft Teams or Skype® for Business software account
- An environment running Microsoft Exchange Server® software (2013 SP1 or later for on-premises installation or Microsoft 365™ software for Cloud) for scheduling and/or Skype for Business 2015 (on-premises installation or Microsoft 365 software for Cloud)
- USB Camera
- AEC-enabled USB speakerphone or DSP device

**NOTE:** An integrated device containing a camera, speakerphone, or DSP can also be used (not included).

View the [Crestron Flex Pre-Deployment Checklist](#) to help plan your Crestron Flex installation.



### In the Box

#### UC-BRKT-100-ASSY, UC Engine Bracket Assembly

- 1 UC-BRKT-100-ASSY (6510636)
- 1 Power cord
- Mounting Hardware

#### Accessory Box

##### TSW-1060-B-S, 10.1 in. Touch Screen, Black

- 1 TSW-1060-B-S (6507651)
- 1 Security Latch (4525305)
- Mounting Hardware

##### TSW-1060-TTK-B-S, Tabletop Kit for Touch Screen, Black

- 1 TSW-1060-TTK-B-S (6507729)
- 1 Template
- Mounting Hardware

#### Miscellaneous

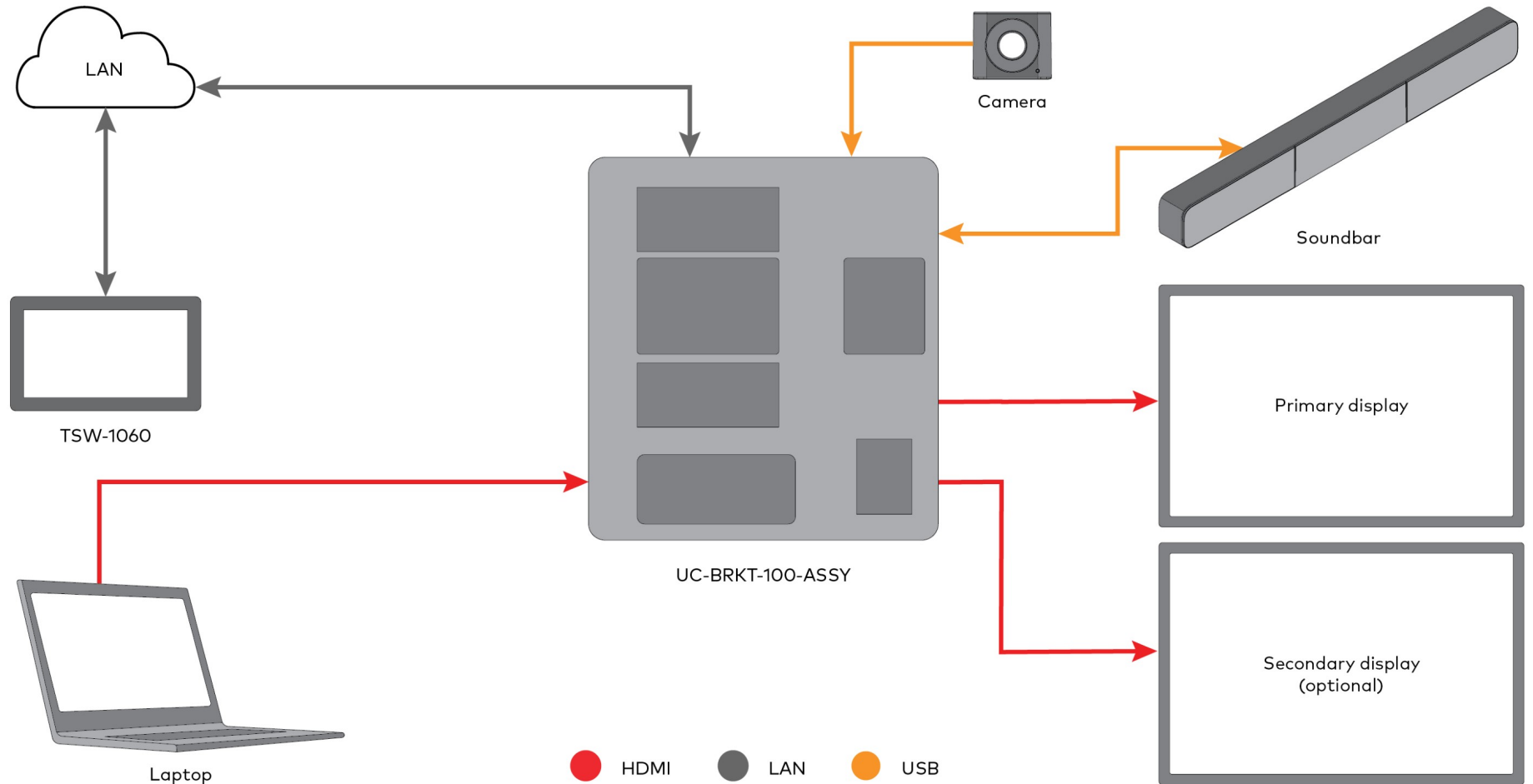
- 1 PWE-4803RU, PoE Injector (6502429)
- 2 CBL-CAT5E-7, CAT5e cable RJ-45-to-RJ-45, Black, 7 ft (2.1 m) (6509924)
- 1 CBL-HD-THIN-HS-6, Thin HDMI® cable, 6 ft (1.8 m) (6508218)
- 1 CBL-HD-20, HDMI cable, 20 ft (6.1 m) (6503567)
- 1 CBL-USBC-HD-9, USB 3.0 to HDMI Converter cable, 9 ft (2.7 m) (6510718)
- 1 DM-CBL-ULTRA-PC-20, DigitalMedia™ Ultra Patch cable, 20 ft (6 m) (6507640)

## Crestron® Flex Video Conference System Integrator Solution for Microsoft Teams™ Rooms



### Overview

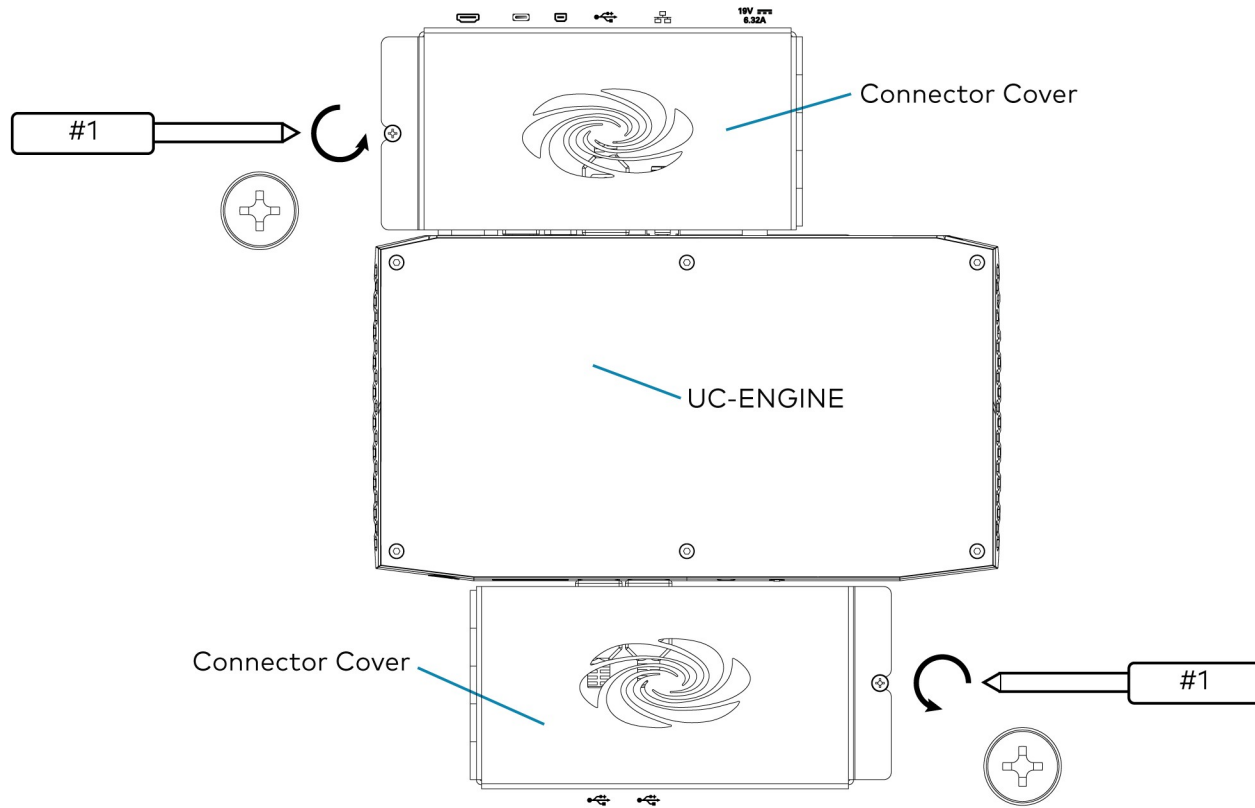
The following diagram illustrates system connections.



## Crestron® Flex Video Conference System Integrator Solution for Microsoft Teams™ Rooms

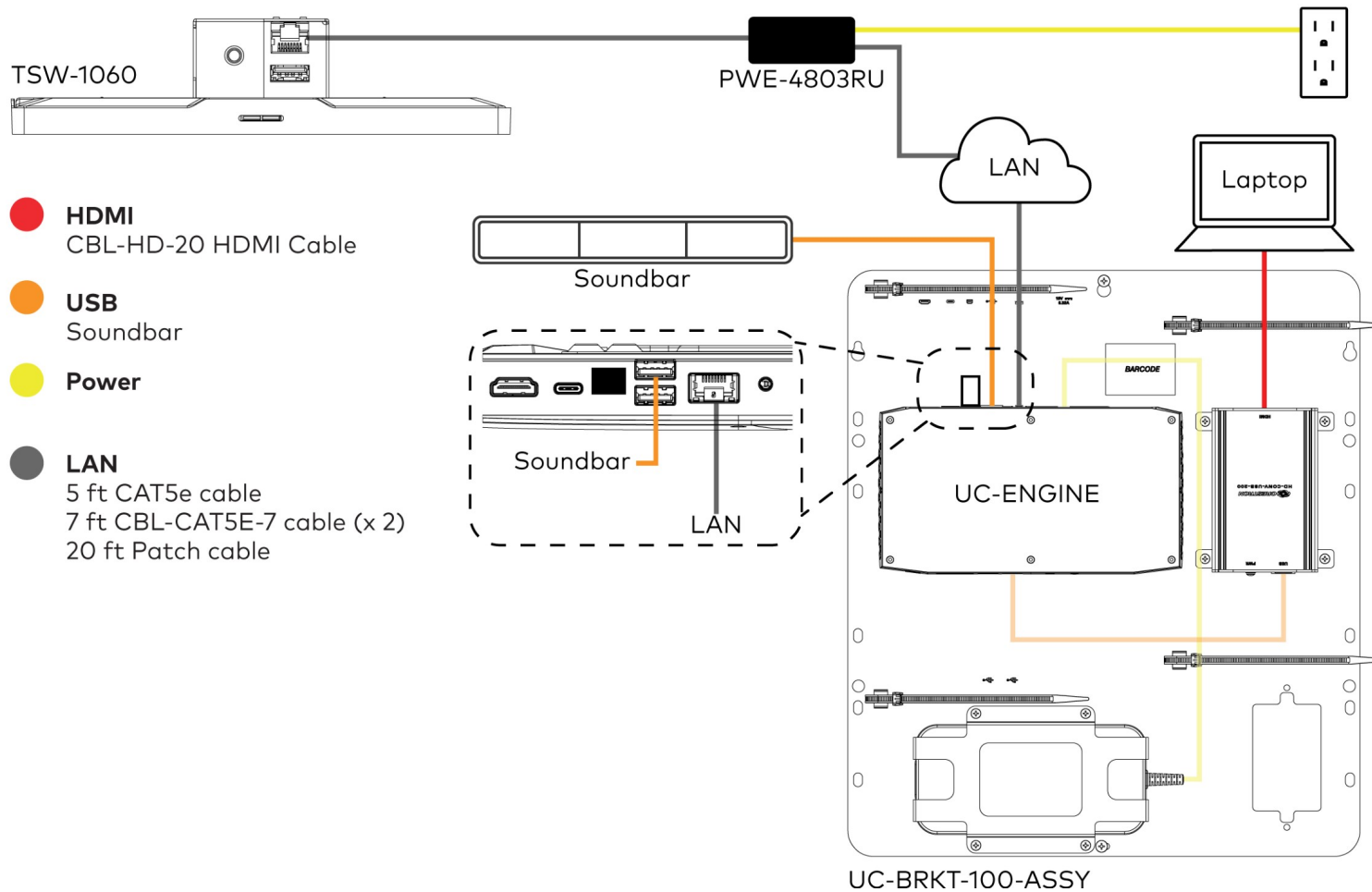
### Connect

1. Remove the connector covers prior to making UC-ENGINE connections on the UC-BRKT-100-ASSY bracket assembly.



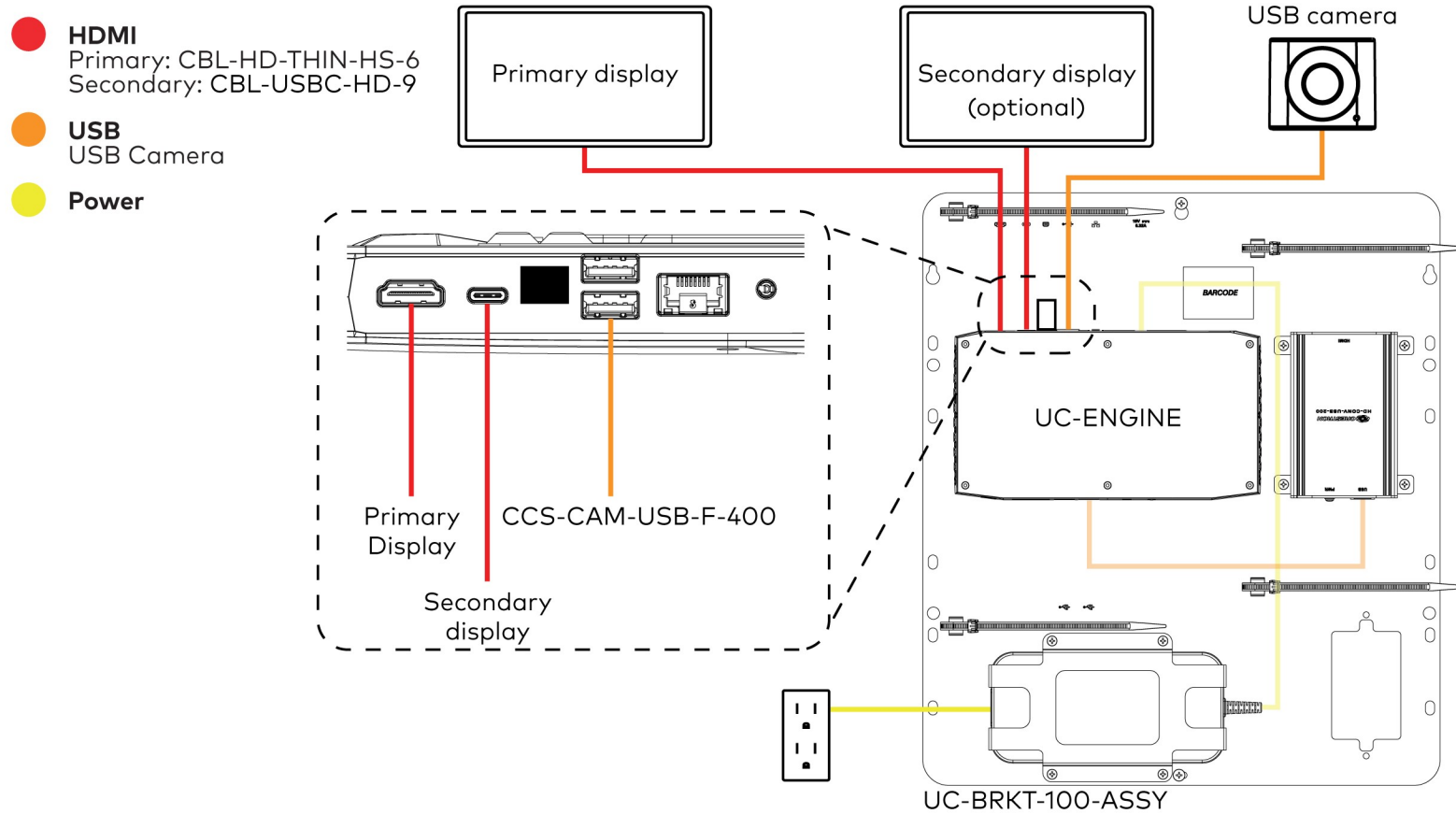
## Crestron® Flex Video Conference System Integrator Solution for Microsoft Teams™ Rooms

- Make connections to the TSW-1060 touch screen and UC-BRKT-100-ASSY bracket assembly as shown in the following illustration.



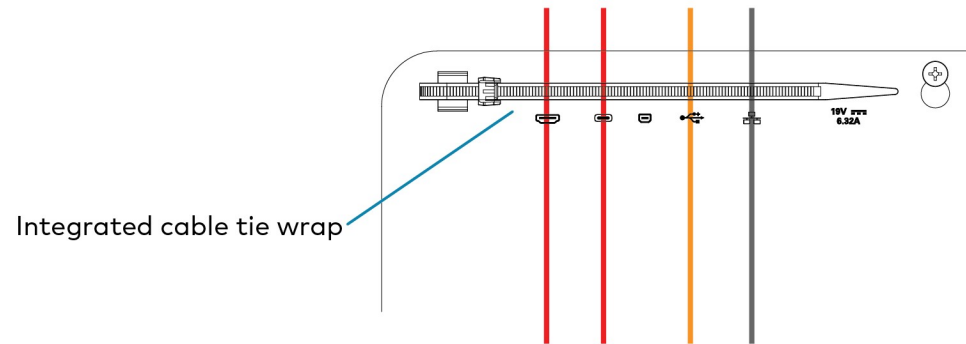
## Crestron® Flex Video Conference System Integrator Solution for Microsoft Teams™ Rooms

3. Connect the display devices and camera to the UC-ENGINE as shown below.



## Crestron® Flex Video Conference System Integrator Solution for Microsoft Teams™ Rooms

4. Bundle the cables with the integrated cable tie wraps. The cable tie wraps are reusable.



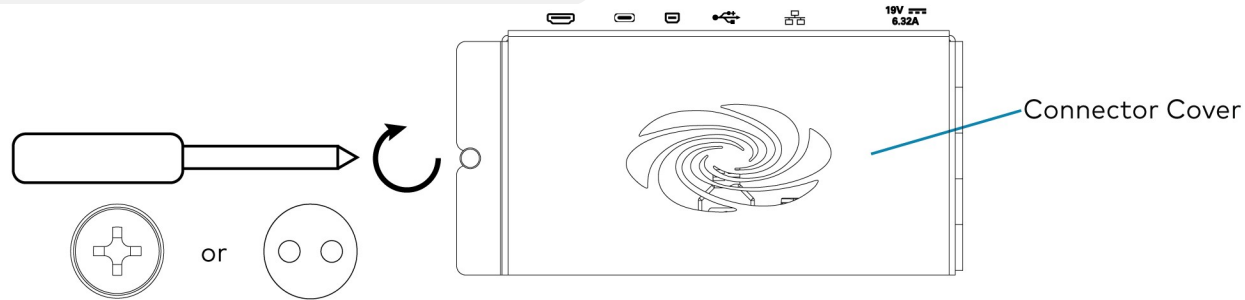
## Crestron® Flex Video Conference System Integrator Solution for Microsoft Teams™ Rooms



## Complete the Installation

After completing UC-ENGINE connections, secure the connector covers using a #1 Phillips head screwdriver to replace the screws.

**NOTE:** For additional security, replace the screws with the spanner screws included with the bracket assembly. A 1/4 in. bit is also supplied with the bracket assembly to install the spanner screws.



## Crestron® Flex Video Conference System Integrator Solution for Microsoft Teams™ Rooms



### Configure

#### Apply Power

Press the power button on the bottom of the UC-ENGINE and apply power to all of the other devices in the system.

#### Configure the Touch Screen

1. Tap **Touch Here to Enable a Specific Application** on the bottom of the TSW-1060-B-S touch screen. A list of applications is displayed.
2. Tap **Teams Video**, and then tap **Confirm**. The TSW-1060-B-S touch screen will reboot.
3. On a computer, open a web browser to the IP address of the TSW-1060-B-S touch screen. Log in and navigate to **Settings > Applications**.

#### NOTES:

- The TSW-1060-B-S touch screen (via the PW-4803RU) and computer must be on the same network switch and VLAN.
- A login with administrative rights for the TSW-1060-B-S touch screen is required.

4. Enter the following information in the appropriate fields:
  - **Teams Video PC Address:** Enter the IP address or hostname of the UC-ENGINE.

**NOTE:** The hostname is printed on a label affixed to the UC-ENGINE (mounted on the UC-BRKT-100-ASSY bracket assembly).

- **Teams Video PC Port:** By default, port number 49500 is used. If a different port number has been configured on the UC-ENGINE, enter that port number instead.
- **Teams Video Username:** Enter the login username for the UC-ENGINE. (The default username is "admin".)
- **Teams Video Password:** Enter the login password for the UC-ENGINE. (The default password is "sfb".)

5. Click **Save Changes**.

For more information, refer to the TSW-560/TSW-760/TSW-1060 Supplemental Guide (Doc. 7927) at [www.crestron.com/manuals](http://www.crestron.com/manuals).

#### Configure the System

Use the TSW-1060-B-S and your Microsoft Teams or Skype account credentials to configure the UC-ENGINE. Refer to the Crestron Flex UC Video Conference Systems (Doc. 8360) at [www.crestron.com/manuals](http://www.crestron.com/manuals).

## Crestron® Flex Video Conference System Integrator Solution for Microsoft Teams™ Rooms



## Visit the Product Page

Scan the QR code to visit the product page.

UC-C160-T



[www.crestron.com/model/6510684](http://www.crestron.com/model/6510684)

## Additional Information

**Original Instructions**

The U.S. English version of this document is the original instructions. All other languages are a translation of the original instructions.

Crestron product development software is licensed to Crestron dealers and Crestron Service Providers (CSPs) under a limited nonexclusive, nontransferable Software Development Tools License Agreement. Crestron product operating system software is licensed to Crestron dealers, CSPs, and end-users under a separate End-User License Agreement. Both of these Agreements can be found on the Crestron website at [www.crestron.com/legal/software\\_license\\_agreement](http://www.crestron.com/legal/software_license_agreement).

The product warranty can be found at [www.crestron.com/warranty](http://www.crestron.com/warranty).

The specific patents that cover Crestron products are listed at [www.crestron.com/legal/patents](http://www.crestron.com/legal/patents).

Certain Crestron products contain open source software. For specific information, visit [www.crestron.com/opensource](http://www.crestron.com/opensource).

Crestron, the Crestron logo, DigitalMedia, and Crestron XiO Cloud are either trademarks or registered trademarks of Crestron Electronics, Inc. in the United States and/or other countries. HDMI and the HDMI logo are either trademarks or registered trademarks of HDMI Licensing LLC in the United States and/or other countries. Microsoft 365, Microsoft Exchange Server, Microsoft Teams, and Skype are either trademarks or registered trademarks of Microsoft Corporation in the United States and/or other countries. Other trademarks, registered trademarks, and trade names may be used in this document to refer to either the entities claiming the marks and names or their products. Crestron disclaims any proprietary interest in the marks and names of others. Crestron is not responsible for errors in typography or photography.

**HDMI**

©2020 Crestron Electronics, Inc.

Doc ID 8395C

02/21/20