

FT2-1200-MECH

FlipTop™ Cable Management System FT2 Series, 1200 Size, Mechanical

The Crestron® FT2-1200-MECH FlipTop™ cable management system device, for simplicity within this document called the FlipTop assembly, installs into a table or other horizontal surface to provide modular tabletop connectivity for users. The one-touch lid on the unit conceals nine module slots arranged in a single row.

The FlipTop assembly includes six pass-through cable modules and three blank plate modules. Each pass-through cable module accommodates a Crestron FT2A-CBL-PT Series Pass-Through Cable (not included) and various other third-party interface cables. Use blank plate modules to cover any unused module slots within the FlipTop assembly.

The flexible modular design of the FlipTop assembly can be customized with an assortment of Crestron accessories (not included):

- FT2A-CBL-PT is a series of pass-through cables optimized for the provided pass-through cable modules.
- FT2A-CBLR-GR is a series of gravity cable retractors. Each cable in the retractor pulls out up to 3 ft (0.9 m) and retracts gently back into the FlipTop assembly.
- FT2A-PLT-KEY-10 is a pack of 10 keystone plate modules. Each module accommodates standard flush-mount keystone connectors.
- FT2A-CHGR-USBA-BASIC is a USB rapid charging module that provides two USB Type-A charging ports.
- FT2A-PWR-US is a series of AC power outlet modules that provide one or more NEMA 5 type receptacles above the table. The basic model provides one additional outlet below the table; the other models provide two.
- FT2A-UTK-SHELF is an under-table utility shelf capable of holding HDMI® switches or HDBaseT® transmitters.
- FT2A-PLT-BLANK-10 is a pack of 10 blank plate modules used to supplement those provided with the FlipTop assembly. Each module covers one unused module slot within the assembly.
- FT2A-PLT-PT-10 is a pack of 10 pass-through cable modules used to supplement those provided with the FlipTop assembly. Each module accommodates a Crestron FT2A-CBL-PT Series Pass-Through Cable or a third-party interface cable.

NOTE: For more information about FlipTop assembly accessories, refer to the specific product manual located at www.crestron.com/manuals.

Check the Box

Item	Qty
FT2-1200-MECH	1
Bars, Locking, with Screws (P/N 4527589)	2
Module, Blank Plate (P/N 2049602)	3
Module, Pass-Through Cable (P/N 4526880)	6
Template, Cutout (P/N 4528347)	1
FT2-1200-MECH-AL Only	
Bezel, FT2-1200, Alloy (P/N 4528342)	1
FT2-1200-MECH-B Only	
Bezel, FT2-1200, Black (P/N 4528341)	1

Mount the FlipTop Assembly

The next two sections describe the mounting procedure.

Cut the Mounting Hole

NOTE: Before cutting the mounting hole, check underneath the table for any obstructions that may impede the installation of the FlipTop assembly, retractors, and accessories.

1. Trace an outline of the mounting hole onto the table using the included cutout template.
2. Cut a mounting hole in the table with an appropriate saw.

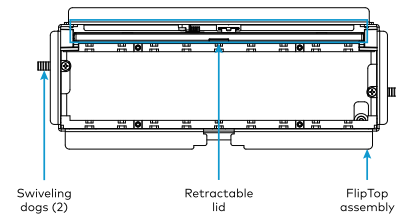
Secure the FlipTop Assembly

To secure the FlipTop assembly:

1. Ensure that the two swiveling dogs are positioned inside of the FlipTop assembly, and then insert the assembly into the mounting hole until the top lip is flush with the table surface.

CAUTION: Set the screwdriver torque to its lowest setting to avoid stripping the swiveling dogs and damaging the table. If removing the FlipTop assembly from the table, ensure that the screwdriver rotation is set correctly before loosening the swiveling dogs.
2. Carefully tighten the two swiveling dogs in the FlipTop assembly clockwise until the assembly is secured in place against the table. Do not overtighten the swiveling dogs.

Location of Swiveling Dogs



Install the Modules

NOTE: Installation procedures for most modules are available in separate product documentation. For more information, refer to the specific product manual located at www.crestron.com/manuals.

The following sections provide best practices and installation procedures for pass-through cable modules, blank plate modules, and keystone plate modules.

Position the Modules

NOTE: The FlipTop assembly includes six FT2A-PLT-PT pass-through cable modules and three FT2A-PLT-BLANK blank plate modules. No other modules are included.

Follow the best practices below when performing module installation:

- Perform module installation in the following order:
 1. AC Power Outlet Modules (FT2A-PWR-US)
 2. Retractor modules (FT2A-CBLR-GR)
 3. All other modules (FT2A-PLT-KEY, FT2A-CHGR-USBA-BASIC, FT2A-PLT-PT, and FT2A-PLT-BLANK)
- Place the FT2A-CBLR-GR modules only at the ends of the module row.
- Dress all cables after installing each module.

NOTE: FT2A-CBLR-GR modules are compatible with electrical and mechanical FlipTop assemblies; however, the LED indicators on the front of these modules do not light when installed into an FT2-1200-MECH.

Install the Pass-Through Cable Module

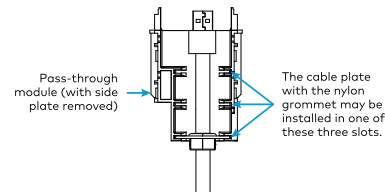
Each pass-through cable module is packaged with one nylon grommet and one cable plate. One empty module slot is required for installation.

To assemble and install the pass-through cable modules into the FlipTop assembly:

1. Separate the grommet.
2. Insert the cable into the grommet with the connector facing up toward the end user.
3. Press the grommet back together to secure the cable inside.
4. Push the grommet and cable into the hole in the cable plate.
5. Insert the cable plate into one of the three slots in the pass-through module. The top of the cable connector should sit flush with the top of the module.

NOTE: If the cable connector extends past the top of the pass-through module, the FlipTop assembly lid cannot close.

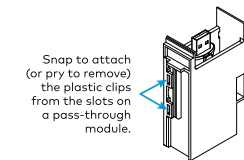
Location of Cable Plates within the Pass-Through Cable Module



6. Attach the side plate to the module by snapping the plastic clips on the plate into the two slots on the module.

NOTE: Ensure that the cable moves freely in the module prior to attaching the side plate, as the plate is difficult to remove once it is attached. If the side plate must be removed, use a small, flat object (such as a flat-head screwdriver) to carefully pry the plastic clips on the side plate off of the module near the two slots.

Location of Plastic Clips on Side Panel

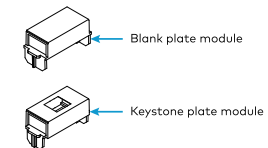


7. Feed the other end of the cable through an empty module slot in the FlipTop assembly.
8. Slide the pass-through cable module into the empty module slot in the FlipTop assembly. Use the guide ribs on the front and rear of each module to help position the module in the assembly.

Install the Blank and Keystone Plate Module

Three blank plate modules are included to fill empty slots in the module row. A keystone plate module allows for cables terminated with standard keystone jacks to be installed in the FlipTop assembly. The blank and keystone plate modules each require one empty module slot for installation.

Blank and Keystone Plates



To install a blank or keystone plate module into the FlipTop assembly:

- Slide the blank plate module down into the appropriate module slot. Use the guide ribs on the front and rear of each module to help position it in the assembly.
- For the keystone plate module, complete the following.
 1. Snap the cable's keystone jack into the keystone opening in the keystone plate module.
 2. Feed the cable down through the empty module slot.
 3. Slide the attached keystone plate module down into the same module slot using the front and rear guide ribs to assist with positioning.

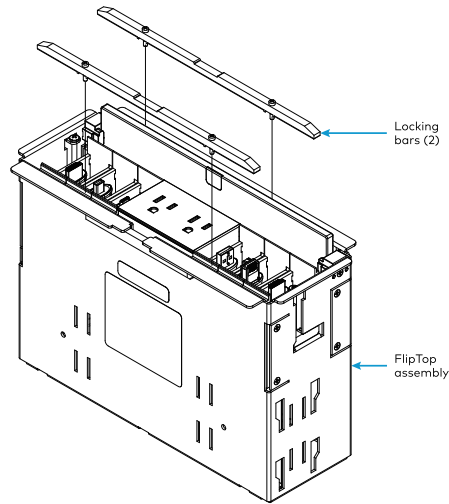


» Install the Locking Bars

1. Place the locking bars into position so that the screws attached to the locking bars engage the screw holes in the FlipTop assembly.
2. Using a manual torque screwdriver set to its lowest possible setting, hand tighten the locking bar screws until the locking bars are secured to the FlipTop assembly.

CAUTION: Do not overtighten the locking bar screws.

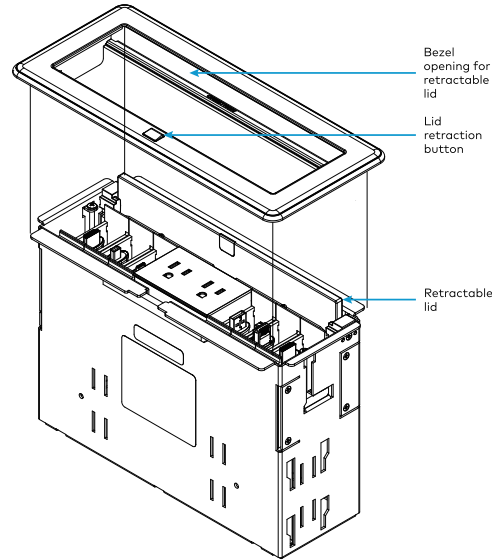
Position of Locking Bars



» Install the Bezel

Place the bezel onto the FlipTop assembly so that the retractable lid fits inside the bezel opening. The bezel is held in place using magnets.

Position of Bezel



» Operate the FlipTop Assembly

To operate the FlipTop assembly:

1. Tap the lid retraction button to retract the one-touch lid, which disappears into the assembly.
2. Pull out a cable and lay it on the tabletop.
3. Lift the cable vertically above the FlipTop assembly to retract the cable gently back into the assembly.
4. Close the lid by lifting it vertically and returning it over the FlipTop assembly.

» For Additional Information

Scan or click the QR code for detailed product information on the Crestron website.



FT2-1200-MECH

HDMI

Compliance and Legal

Original Instructions: The U.S. English version of this document is the original instructions. All other languages are a translation of the original instructions.

As of the date of manufacture, the product has been tested and found to comply with specifications for CE marking.



Federal Communications Commission (FCC) Compliance Statement

This device complies with part 15 of the FCC Rules. Operation is subject to the following conditions: (1) This device may not cause harmful interference and (2) this device must accept any interference received, including interference that may cause undesired operation.

CAUTION: Changes or modifications not expressly approved by the manufacturer responsible for compliance could void the user's authority to operate the equipment.

NOTE: This equipment has been tested and found to comply with the limits for a Class B digital device, pursuant to part 15 of the FCC Rules. These limits are designed to provide reasonable protection against harmful interference in a residential installation. This equipment generates, uses and can radiate radio frequency energy and, if not installed and used in accordance with the instructions, may cause harmful interference to radio communications. However, there is no guarantee that interference will not occur in a particular installation. If this equipment does cause harmful interference to radio or television reception, which can be determined by turning the equipment off and on, the user is encouraged to try to correct the interference by one or more of the following measures:

- Reorient or relocate the receiving antenna.
- Increase the separation between the equipment and receiver.

- Connect the equipment into an outlet on a circuit different from that to which the receiver is connected.
- Consult the dealer or an experienced radio/TV technician for help.

Industry Canada (IC) Compliance Statement

CAN ICES-3 (B)/NMB-3(B)

The product warranty can be found at www.crestron.com/warranty.

The specific patents that cover Crestron products are listed at www.crestron.com/legal/patents.

Certain Crestron products contain open source software. For specific information, please visit www.crestron.com/opensource.

Crestron, the Crestron logo, and FlipTop are either trademarks or registered trademarks of

Crestron Electronics, Inc. in the United States and/or other countries. HDBaseT is either a trademark or registered trademark of the HDBaseT Alliance in the United States and/or other countries. HDMI and the HDMI logo are either trademarks or registered trademarks of HDMI Licensing LLC in the United States and/or other countries. The UR logo is either a trademark or registered trademark of Underwriters Laboratories, Inc. in the United States and/or other countries. Other trademarks, registered trademarks, and trade names may be used in this document to refer to either the entities claiming the marks and names or their products. Crestron disclaims any proprietary interest in the marks and names of others. Crestron is not responsible for errors in typography or photography.

©2019 Crestron Electronics, Inc.

Crestron Electronics, Inc.
15 Volvo Drive, Rockleigh, NJ 07647
Tel: 988 CRESTRON
Fax: 201.767.7576
www.crestron.com

Quick Start - Doc. 8406B
(2052789)
04.19

Specifications subject to change without notice.