

# DM-RMC-4KZ-SCALER-C

## DigitalMedia 8G+® 4K60 4:4:4 HDR Receiver and Room Controller with Scaler

The Crestron DM-RMC-4KZ-SCALER-C is a DigitalMedia 8G+® receiver and room controller with scaler that supports full 4K60 4:4:4 and high dynamic (HDR10) video signals. Via a CATx cable, the DM-RMC-4KZ-SCALER-C connects to a DigitalMedia™ switcher or transmitter, or to an HDBaseT® source. Built-in RS-232, IR, and HDMI® CEC ports enable programmable control of a display device via a control system.

### Check the Box

Item	Qty
DM-RMC-4KZ-SCALER-C	1
Connector, 4-Pin (P/N 2003576)	2
Connector, 5-Pin (P/N 2003577)	2
Power Pack, 24 Vdc, 1.25 A, 100-240 Vac (P/N 2045870)	1

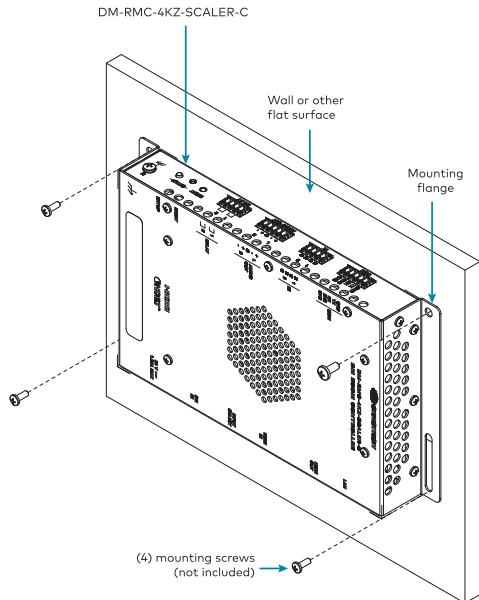
### Install the Device

The Crestron DM-RMC-4KZ-SCALER-C can be mounted onto a flat surface or rack rail.

#### Mount onto a Flat Surface

Using four mounting screws (not included), mount the device onto a flat surface such as a wall or a ceiling.

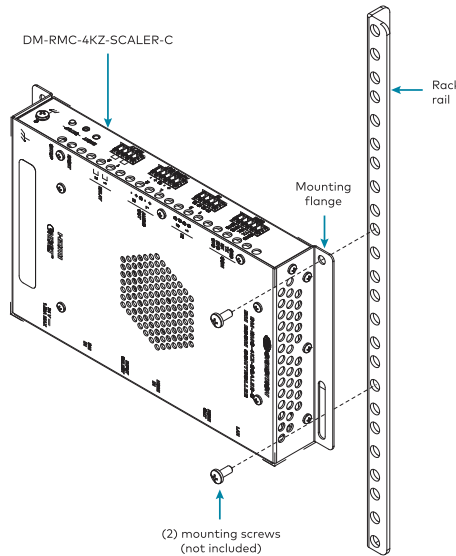
#### Mount onto a Flat Surface



#### Mount onto a Rack Rail

The DM-RMC-4KZ-SCALER-C mounts onto the front or rear rail of a rack. Position either the left or the right mounting flange of the device so that the holes align with the holes in the rack rail. Then, secure the device to the rack rail using two rack mounting screws (not included).

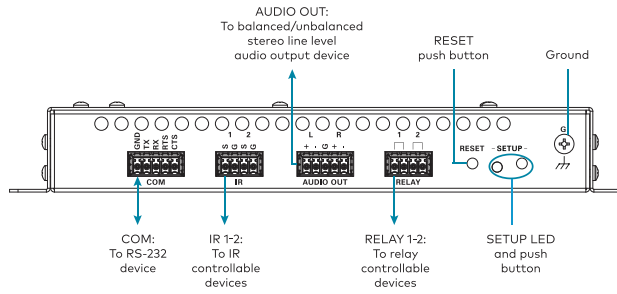
#### Mount onto a Rack Rail



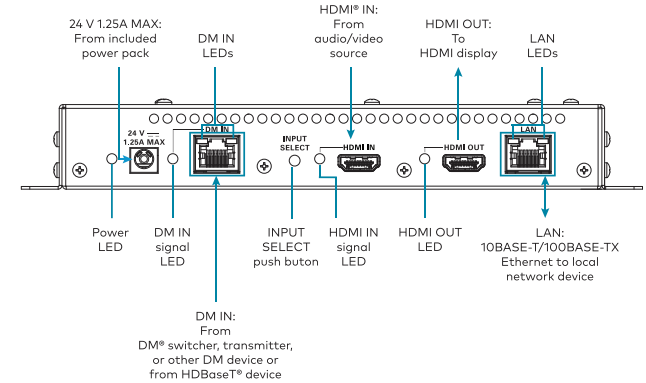
### Connect the Device

Connect the device as required for the application.

#### Connections, Left Side



#### Connections, Right Side



#### NOTES:

- The DM IN port is a PoDM+ powered device (PD) port and is also compatible with HDBaseT® PoE+. In order for the device to receive PoDM+, the device requires connection to a DigitalMedia™ switcher or other equipment that has a PoDM+ power sourcing equipment (PSE) port. In order for the device to receive HDBaseT PoE+, the device requires connection to equipment that has a corresponding HDBaseT PoE+ PSE port. Wiring that connects to a PoDM+ or HDBaseT PoE+ PSE port is for intrabuilding use only. Connection to the included power pack is not required when PoDM+ or HDBaseT PoE+ is used to power the device.
- Connection of the CEN-SWPOE-16 to the POE IN ports of DMC-4KZ-CO-HD output cards in a DigitalMedia switcher can provide PoDM+ power to up to seven DM-RMC-4KZ-SCALER-C devices.
- The LAN port can connect to an Ethernet switch only if the DM IN port does not connect to a DigitalMedia switcher.

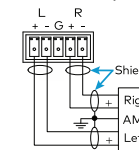
#### Pin Assignments

For information about AUDIO OUT pin assignments, refer to the following table and illustrations.

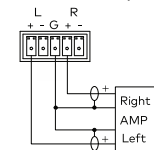
#### AUDIO OUT PIN Assignment

Signal Name	Balanced Audio Output	Unbalanced Audio Output
+	L+	L+
-	L-	Open
G	Shield/Ground	Common Ground
+	R+	R+ Out
-	R-	Open

#### Balanced Output



#### Unbalanced Output



## LED Indicators

The following table describes the LED colors and meanings.

LED Indicator	Color	Meaning
DM IN signal LED	Solid green	A video signal is detected at the DM IN port and DM IN is the active input source.
	Flashing green	A video signal is detected at the DM IN port but DM IN is not the active input source.
DM IN port	Green	A DM or HDBaseT link is established.
	Solid amber	HDCP video is detected at the input.
	Flashing amber	Non-HDCP video is detected at the input.
HDMI IN signal LED	Solid green	A video signal is detected at the HDMI IN port and HDMI IN is the active input source.
	Flashing green	A video signal is detected at the HDMI IN port but HDMI IN is not the active input source.
HDMI OUT	Green	A video signal is detected at the output.
LAN	Green	An Ethernet link is established.
	Flashing amber	Data activity is occurring on the Ethernet link.
Power	Green	Power is being applied to the device via PoDM+, HDBaseT PoE+, or the included power pack.
SETUP	Red	The <b>SETUP</b> button is pressed and Ethernet setup is occurring.

## » Select the Input

The input source can be automatically switched (default setting) or selected manually.

### Automatic Switching

Automatic switching displays video from the last detected input source.

### Manual Switching

To change from automatic switching to a desired video input source, press the **INPUT SELECT** push button. Pressing the **INPUT SELECT** button in succession changes the input source in the following order:

- **DM IN:** The DM IN signal LED lights solid green if video is detected at the DM IN port and DM IN is the selected input source. The DM IN signal LED flashes green if video is detected at the DM IN port but DM IN is not the selected input source.
- **HDMI IN:** The HDMI IN signal LED lights solid green if video is detected at the HDMI IN port and HDMI IN is the selected input source. The HDMI IN signal LED flashes green if video is detected at the HDMI IN port but HDMI IN is not the selected input source.
- **Disable:** No input is selected.

After cycling through the above selections, pressing the **INPUT SELECT** button returns to automatic switching.

## » Upgrade the Firmware

Before using the device, upgrade the firmware. The latest firmware can be downloaded from the Crestron website ([www.crestron.com](http://www.crestron.com)).

## » Set the IP Address

The configuration of the receiver within the DigitalMedia 8G+® system determines how the IP address of the receiver is set:

- If the receiver connects to a DigitalMedia switcher, the receiver is configured by the switcher automatically.
- If the receiver connects to a DigitalMedia 8G+ transmitter, the receiver uses its own configuration settings. By default, DHCP (Dynamic Host Configuration Protocol) is enabled. If assignment of the default IP address to the receiver is desired, hold down the **SETUP** button while the unit boots up. The default IP address overwrites the current setting. The default IP address of the DM-RMC-4KZ-SCALER-C is 192.168.1.253. To manually set a different IP address, use Crestron Toolbox™ software.

## » For Additional Information

Scan or click the QR code for detailed product information.



DM-RMC-4KZ-SCALER-C

**HDMI**

## Compliance and Legal

**Original Instructions:** The U.S. English version of this document is the original instructions. All other languages are a translation of the original instructions.

As of the date of manufacture, the product has been tested and found to comply with specifications for CE marking.



This product is Listed to applicable UL® Standards and requirements tested by Underwriters Laboratories Inc.

Ce produit est homologué selon les normes et les exigences UL applicables par Underwriters Laboratories Inc.



### Federal Communications Commission (FCC) Compliance Statement

This device complies with part 15 of the FCC Rules. Operation is subject to the following conditions: (1) This device may not cause harmful interference and (2) this device must accept any interference received, including interference that may cause undesired operation.

**CAUTION:** Changes or modifications not expressly approved by the manufacturer responsible for compliance could void the user's authority to operate the equipment.

**NOTE:** This equipment has been tested and found to comply with the limits for a Class B digital device, pursuant to part 15 of the FCC Rules. These limits are designed to provide reasonable protection against harmful interference in a residential installation. This equipment generates, uses and can radiate radio frequency energy and, if not installed and used in accordance with the instructions, may cause harmful interference to radio communications. However, there is no guarantee that interference will not occur in a particular installation.

If this equipment does cause harmful interference to radio or television reception, which can be determined by turning the equipment off and on, the user is encouraged to try to correct the interference by one or more of the following measures:

- Reorient or relocate the receiving antenna.
- Increase the separation between the equipment and receiver.
- Connect the equipment into an outlet on a circuit different from that to which the receiver is connected.
- Consult the dealer or an experienced radio/TV technician for help.

### Industry Canada (IC) Compliance Statement

CAN ICES-3 (B)/NMB-3(B)

The product warranty can be found at [www.crestron.com/warranty](http://www.crestron.com/warranty).

The specific patents that cover Crestron products are listed at [www.crestron.com/legal/patents](http://www.crestron.com/legal/patents).

Certain Crestron products contain open source software. For specific information, please visit [www.crestron.com/opensource](http://www.crestron.com/opensource).

Crestron, the Crestron logo, Crestron Toolbox, DigitalMedia, DigitalMedia 8G+, and DM are either trademarks or registered trademarks of Crestron Electronics, Inc. in the United States and/or other countries. HDBaseT and the HDBaseT Alliance logo are either trademarks or registered trademarks of the HDBaseT Alliance in the United States and/or other countries. HDMI and the HDMI logo are either trademarks or registered trademarks of HDMI Licensing LLC in the United States and/or other countries. UL and the UL logo are either trademarks or registered trademarks of Underwriters Laboratories, Inc. in the United States and/or other countries. Other trademarks, registered trademarks, and trade names may be used in this document to refer to either the entities claiming the marks and names or their products. Crestron disclaims any proprietary interest in the marks and names of others. Crestron is not responsible for errors in typography or photography.

©2019 Crestron Electronics, Inc.

Crestron Electronics, Inc.  
15 Volvo Drive, Rockleigh, NJ 07647  
Tel: 888.CRESTRON  
Fax: 201.767.7576  
[www.crestron.com](http://www.crestron.com)

Quick Start - Doc. 7937A  
(2050053)  
0119

Specifications subject to change without notice.