



**Description**

The highly configurable Crestron® Cameo® International Keypads (C2NI-CB) present a fresh, innovative concept in keypad design, offering extensive control capability in a 1-gang European or UK style wall box. Available in a choice of almond, black, or white and featuring a textured finish, the C2NI-CB achieves an attractive appearance for every application.

*Cameo Specifications*

SPECIFICATION	DETAILS
Power Requirements	
Cresnet Power Usage	0.5 watt (0.02 A @ 24 Vdc)
Environmental	
Temperature	32° to 113°F (0° to 45°C)
Humidity	10% to 90% RH (non-condensing)
Heat Dissipation	1.7 Btu/h
Dimensions	
Height	3.42 in (87 mm) including bezel
Width	3.42 in (87 mm) including bezel
Depth	1.48 in (38 mm)

**Additional Resources**

Visit the product page on the Crestron website ([www.crestron.com](http://www.crestron.com)) for additional information and the latest firmware updates.



**Assembly**

**NOTES:** Observe the following points.

- This product should be installed and used in accordance with appropriate electrical codes and regulations.
- This product should be installed by a qualified electrician.
- Sensors must be mounted on a vibration free surface.

**NOTE:** Before using the C2NI-CB, ensure the device is using the latest firmware. Check for the latest firmware for the C2NI-CB at [www.crestron.com/firmware](http://www.crestron.com/firmware). Firmware is loaded onto the device using Crestron Toolbox™.

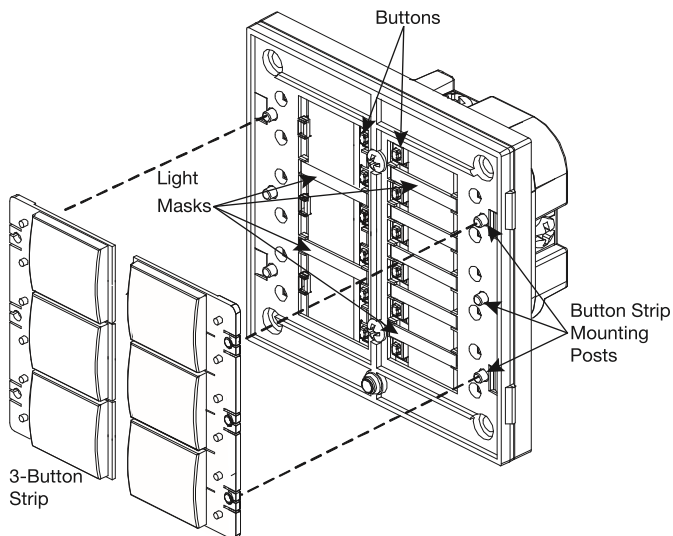
Assembly of the keypad includes properly placing the light masks and attaching the button strips.

1. Position the light masks between the buttons to reduce backlight from penetrating the gaps between the button caps. The light masks will not fall out of their locations but can easily be removed and relocated as necessary.

**NOTE:** Retain the extra light masks in case the keypad is reprogrammed for a different configuration.

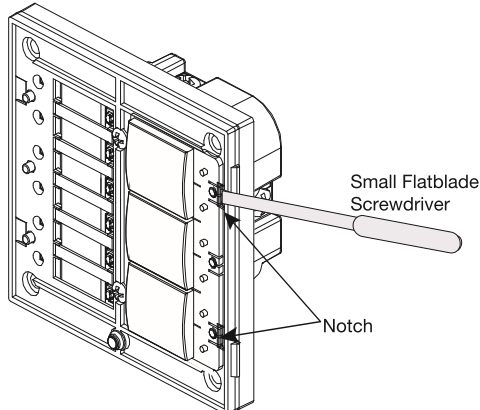
2. Attach the button strips to the housing assembly according to the program. Align the button strip with the button strip mounting posts, and press the button strip to secure it to the button strip mounting posts.

*Assemble the Light Masks and Button Caps*



3. If the button strips need to be changed or replaced, insert the provided flat blade screwdriver into the notches and carefully pry the button strip off of the button strip mounting posts.

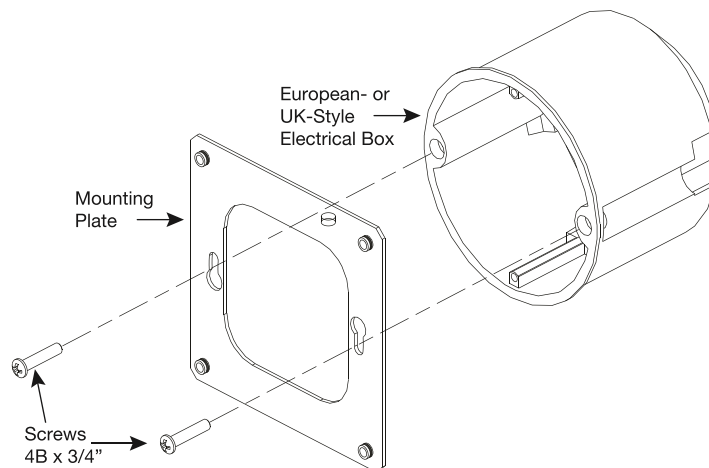
*Remove the Button Caps*



4. Using a Phillips screwdriver and the provided 4B x 3/4" screws, attach the mounting plate to the electrical box.

**NOTE:** The mounting plate can be rotated 90° if necessary to accommodate the orientation of the electrical box.

*Attach the Mounting Plate*

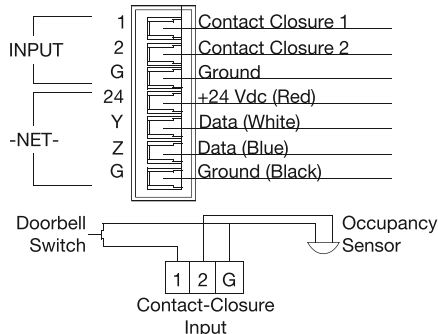


**Installation**

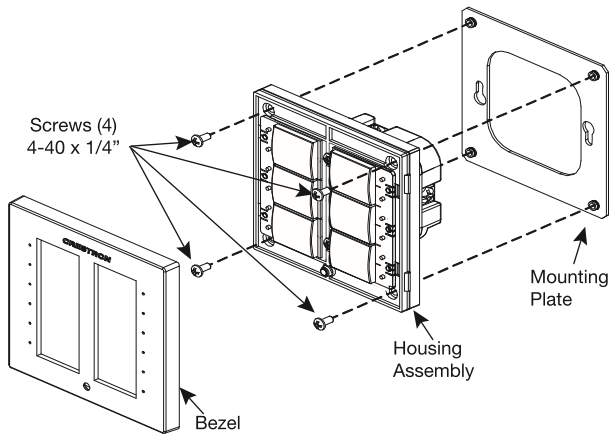
Installation consists of connecting the unit to the Cresnet® system, connecting the contact closure input cable, if any, and attaching the unit to an electrical box.

**NOTE:** Verify there is sufficient Cresnet power to support your net devices.

1. Attach the Cresnet cable to the NET connections of the receptacle on the rear of the keypad; attach a dry contact closure cable, if any, to the INPUT connections.



2. Attach the housing assembly to the mounting plate.



3. Attach the bezel by putting it in position over the button caps and snapping it in place.

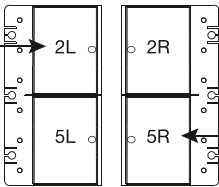
### Button Arrangement

Each button cap can cover one or more buttons. When a button cap is pressed, the button activated is determined by the size and placement of the button cap. All buttons are programmable for press, double-press, and press and hold functions. The top button in the left column is button 1L, followed by 2L, 3L, etc. The right column begins with 1R and follows the same pattern as the left column. Rather than supplying loose button caps, complete sets of button cap strips are provided. Button cap strips can be mixed and matched for the installation but the button cap sizes on one side cannot.

Below are the available button cap strip configurations. Examples of how button caps can activate certain buttons are also explained.

#### Two Large Button Cap Strip Sets

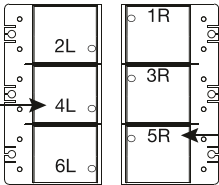
Buttons 1L, 2L, and 3L are covered. When the button cap is pressed, button 2L activates.



Buttons 4R, 5R, and 6R are covered. When the button cap is pressed, button 5R activates.

#### Three Medium Button Cap Strip Sets

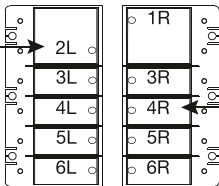
Buttons 3L and 4L are covered. When the button cap is pressed, button 4L activates.



Buttons 5R and 6R are covered. When the button cap is pressed, button 5R activates.

#### One Medium (Top) and Four Small Button Cap Strip Sets (Sold Separately)

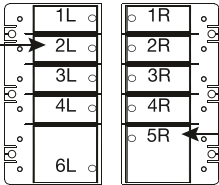
Buttons 1L and 2L are covered. When the button cap is pressed, button 2L activates.



Button 4R is covered. When the button cap is pressed, button 4R activates.

#### Four Small and One Medium (Bottom) Button Cap Strip Sets (Sold Separately)

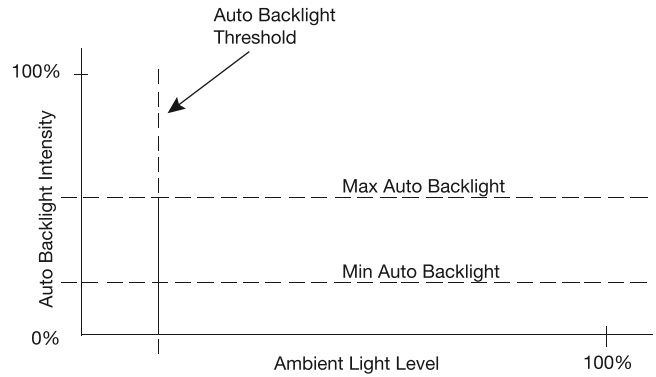
Button 2L is covered. When the button cap is pressed, button 2L activates.



Buttons 5R and 6R are covered. When the button cap is pressed, button 5R activates.

### Ambient Light Sensor Operation

The Cameo keypad has an ambient light sensor that can be used to automatically turn the backlight on in a dark room, or off in a lit room to improve the readability of the button text. When this feature is enabled, three parameters are available to adjust this behavior: Auto Backlight Threshold, Max Auto Backlight, and Min Auto Backlight. The following chart illustrates the change in backlight intensity as ambient light increases until it reaches the threshold value, at which point the backlight is turned off.



Choosing the proper values for these parameters depends on factors such as the color of the keypad, the type and placement of lighting in the room, the orientation of the room's windows with respect to the sun, and personal preference. To simplify the process, Crestron ships the Cameo keypad with preset values for the three parameters. The preset values have been selected to produce an effect that should be acceptable in many common scenarios.

To use one of the built-in preset settings, choose a non-zero value for the "Auto Backlight Preset" parameter during programming: select a value of 1 for white keypads (textured or smooth), 2 for almond, or 3 for black. Use a value of 0 to forego the preset values and set the parameters manually.

Finally, if you plan to install two or more keypads side-by-side, you may want to ensure that the backlights on all units are always in sync. To do this, there are signals available on the programming symbol to allow one unit to act as the master backlight controller and the other units to act as slaves.

Refer to the SIMPL Windows help file for more information.

### Troubleshooting

The following table provides corrective action for possible trouble situations. If further assistance is required, please contact a Crestron customer service representative.

#### Troubleshooting

TROUBLE	POSSIBLE CAUSE(S)	CORRECTIVE ACTION
The keypad does not function.	The wrong power supply is being used.	Use a Crestron power supply.
	The unit is not receiving power or is receiving insufficient power.	Verify that the cable plugged into the NET port is secure. Verify that the power supply is correct.
	There is a loose connection in the network.	Verify that the cable plugged into the NET port is secure.
The keypad does not function. All twelve feedback LEDs are on low.	The incorrect Net ID is being used.	Verify that the Net ID matches the Net ID in the program.
Feedback indicators do not light.	The indicator intensity is set too low.	Set Min Auto Backlight Intensity to 1% or higher, or set Indicator Intensity analog input to 1% or higher if Auto Intensity has been disabled.

As of the date of manufacture, the C2NI-CB keypads have been tested and found to comply with specifications for CE marking.



The product warranty can be found at [www.crestron.com/warranty](http://www.crestron.com/warranty).

The specific patents that cover Crestron products are listed at [patents.crestron.com](http://patents.crestron.com).

Crestron, the Crestron logo, Cameo, Cresnet, and Crestron Toolbox are either trademarks or registered trademarks of Crestron Electronics, Inc. in the United States and/or other countries. Other trademarks, registered trademarks, and trade names may be used in this document to refer to either the entities claiming the marks and names or their products. Crestron disclaims any proprietary interest in the marks and names of others. Crestron is not responsible for errors in typography or photography.

This document was written by the Technical Publications department at Crestron.

©2015 Crestron Electronics, Inc.

Crestron Electronics, Inc.  
15 Volvo Drive Rockleigh, NJ 07647  
Tel: 888.CRESTRON  
Fax: 201.767.7576  
[www.crestron.com](http://www.crestron.com)

Installation Guide - DOC. 6626D  
(2019036)  
4.15

Specifications subject to change without notice.