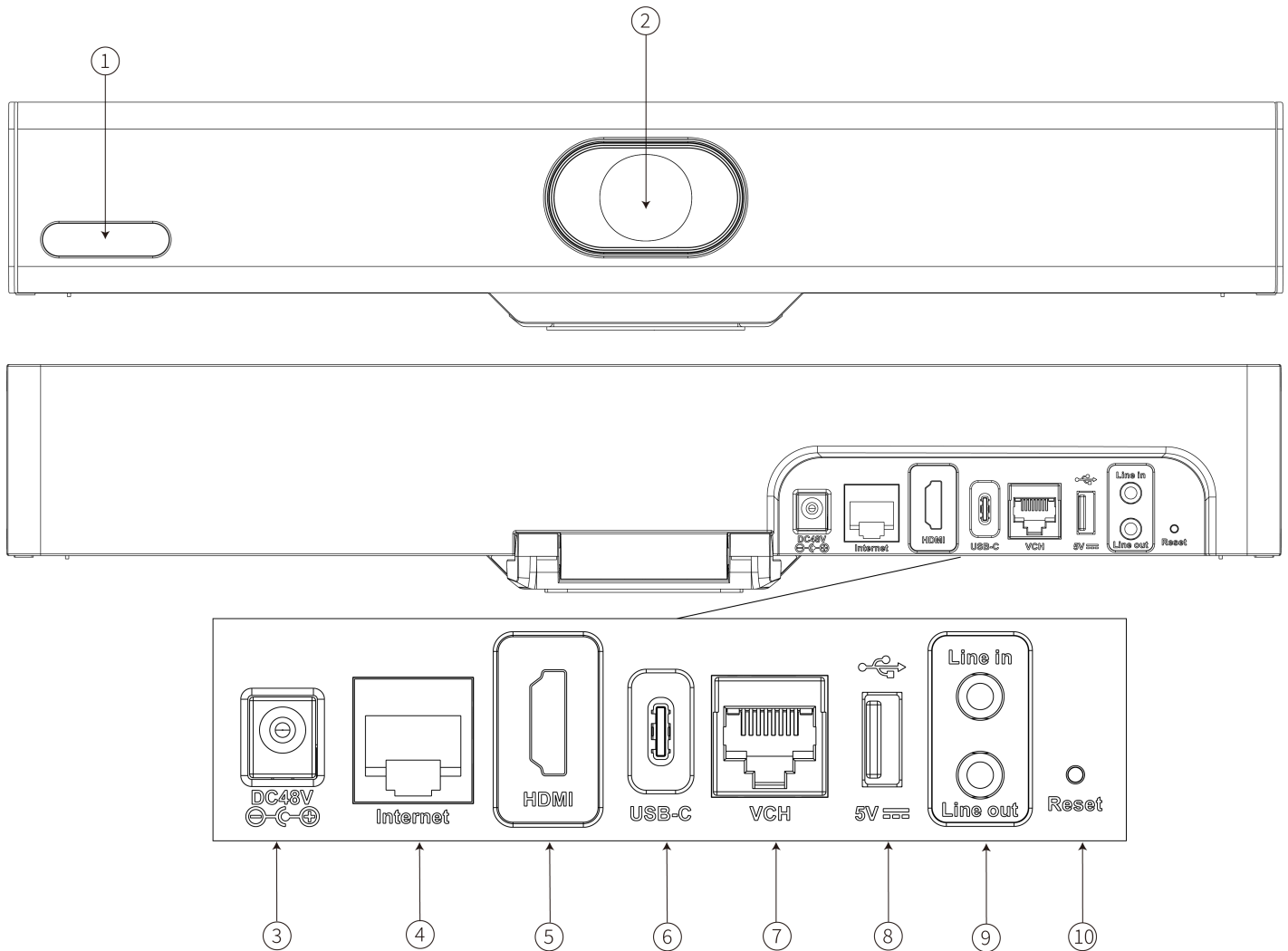


# Quick Usage

## Hardware Introduction

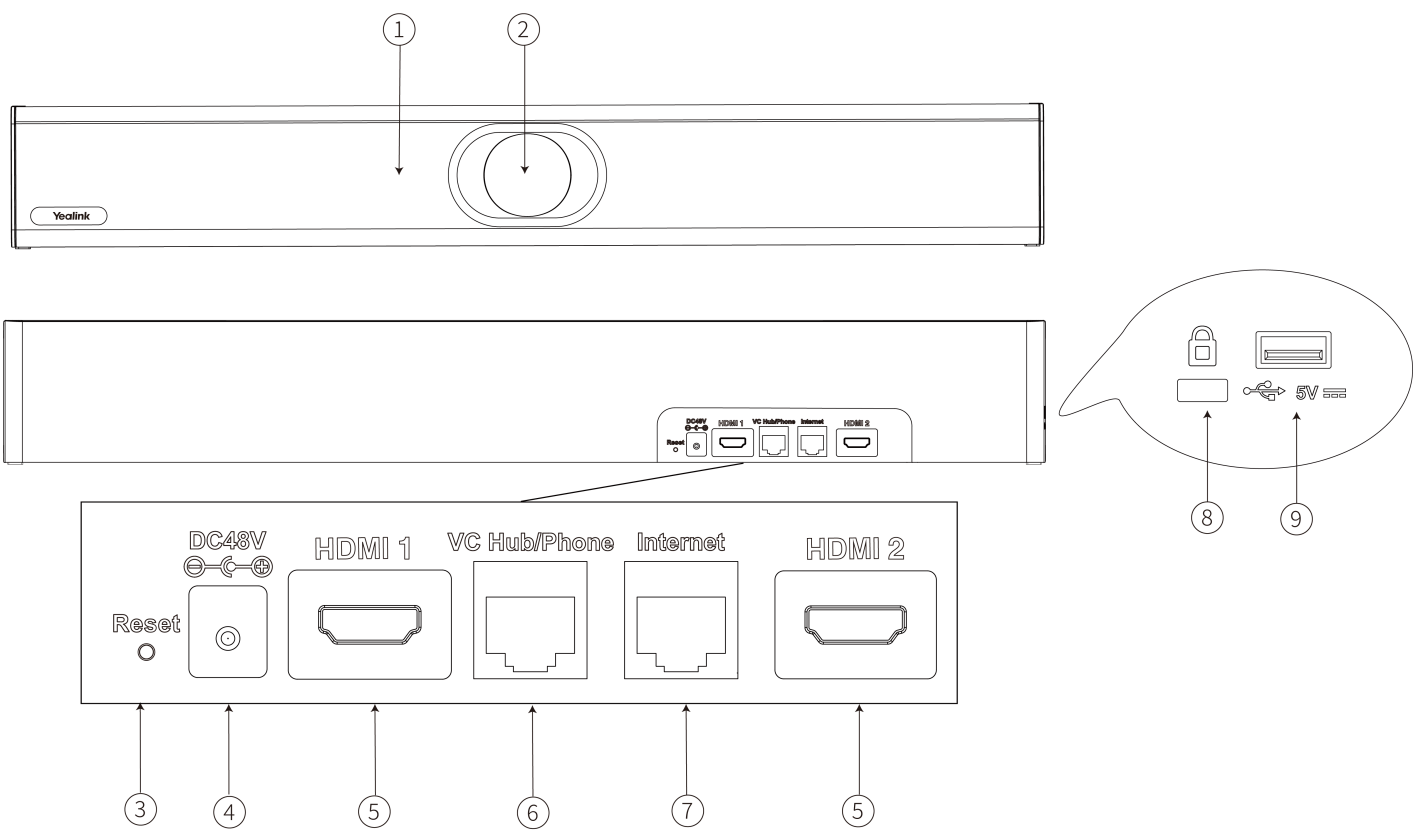
### MeetingBar A10



No.	Item	Description
1	LED Indicator	Indicate the device status.
2	Camera	Camera with an electric privacy shutter.
3	DC48V	Connect to a power source via a power adapter.
4	Internet Port	Connect to a network device.
5	HDMI Port	Connect to a display for image output.

6	USB-C Port	Connect the USB-C cable to use wired content sharing or wired Device Mode.
7	VCH Port	Reserved port.
8	USB-A Port	Connect to USB accessories, such as mouse/Yealink Wireless Presentation Pod.
9	Line-in Port/Line-out Port	Connect to an audio output/input device via an audio cable (3.5 mm).
10	Reset Key	Reset the MeetingBar A10 device to factory defaults.

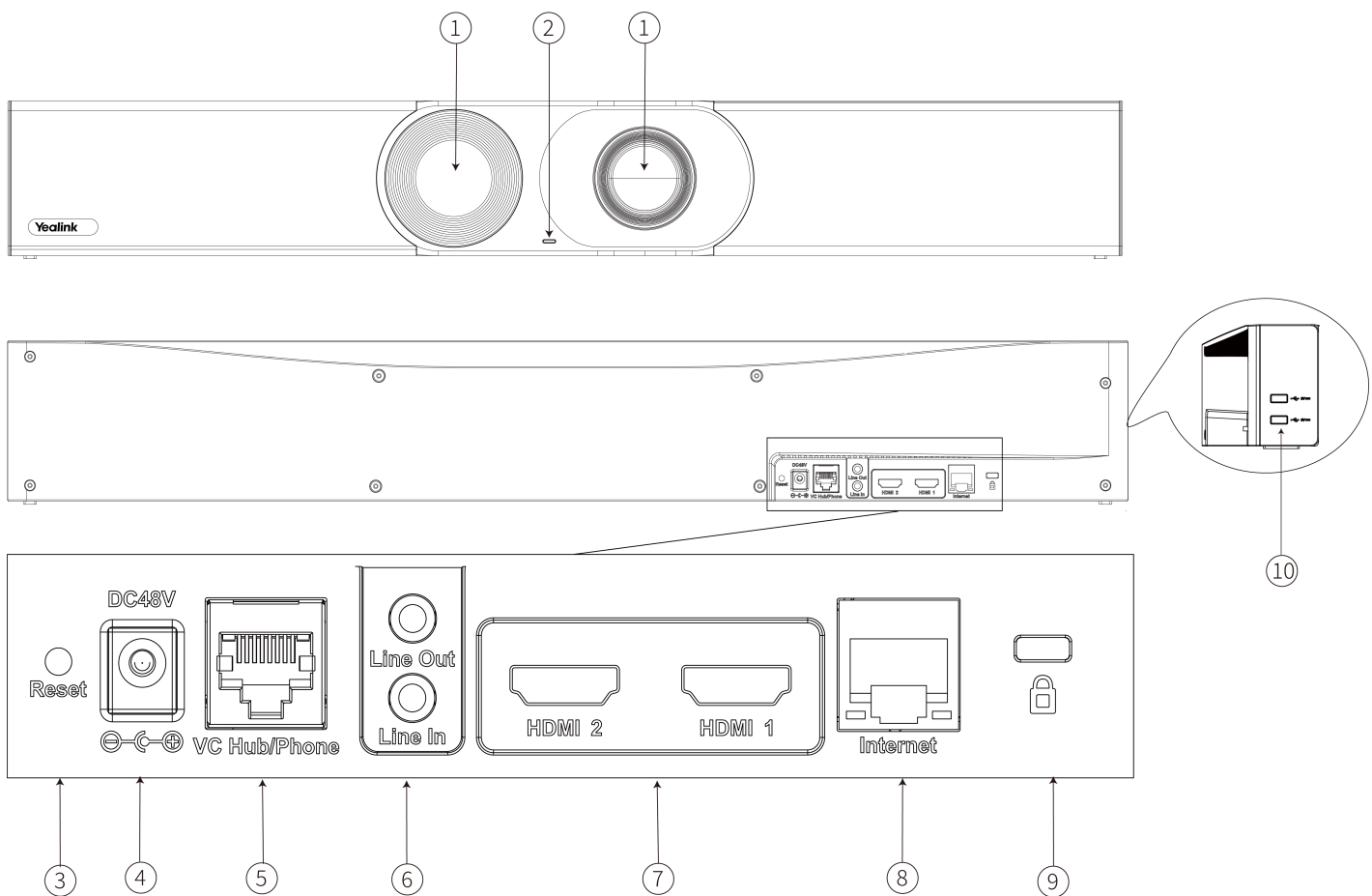
**MeetingBar A20**



No.	Item	Description
1	LED Indicator	Indicate the device status.
2	Camera	Camera with an electric privacy shutter.
3	Reset Key	Reset the MeetingBar A20 device to factory defaults.
4	DC48V	Connect to a power source via a power adapter.
5	HDMI 1 Port&HDMI 2 Port	- Connect to a display for video image output. - You need to use HDMI 1 Port first when using only one display. Otherwise, the A20 cannot output images.

6	VC Hub/Phone Port	- If you want to use wired sharing to present, connect this port to the PoE port on the VCH51 video conferencing hub. - This port can also be connected to the microphone to optimize the audio experience.
7	Internet Port	Connect to a network device.
8	Security Slot	Allow you to connect a universal security cable to the device so that you can lock the device down. The device cannot be removed when locked.
9	USB-A Port	Connect to USB accessories, such as mouse/Yealink Wireless Presentation Pod.

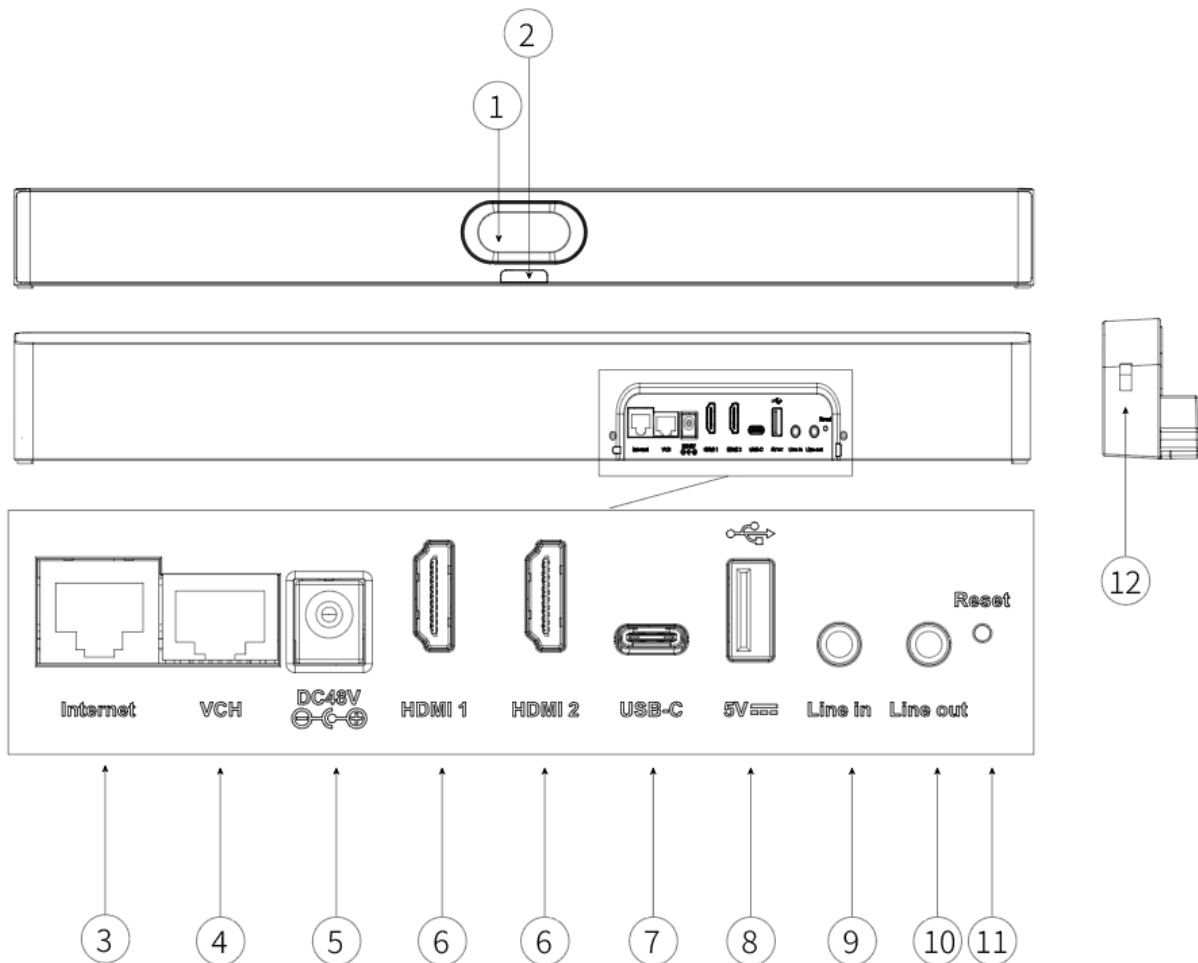
**MeetingBar A30**



No.	Item	Description
1	Camera	Camera with an electric privacy shutter.
2	LED Indicator	Indicate the device status.
3	Reset Key	Reset the MeetingBar A30 device to factory defaults.
4	DC48V	Connect to a power source via a power adapter.

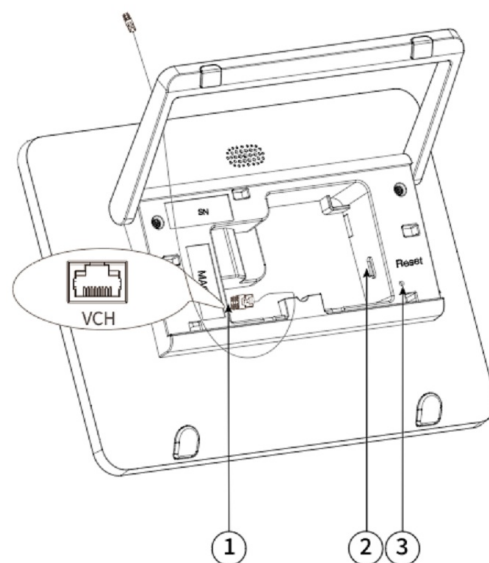
5	VC Hub/Phone Port	<ul style="list-style-type: none"> <li>- If you want to use wired sharing to present, connect this port to the PoE port on the VCH51 video conferencing hub.</li> <li>- This port can also be connected to the microphone to optimize the audio experience.</li> </ul>
6	Line-in Port/Line-out Port	Connect to an audio output/input device via an audio cable (3.5 mm).
7	HDMI 1 Port&HDMI 2 Port	<ul style="list-style-type: none"> <li>- Connect to a display for video image output.</li> <li>- You need to use HDMI 1 Port first when using only one display. Otherwise, the A30 cannot output images.</li> </ul>
8	Internet Port	Connect to a network device.
9	Security Slot	Allow you to connect a universal security cable to the device, so you can lock the device down. The device cannot be removed when locked.
10	USB-A Port	Connect to a USB accessory, such as a mouse/Yealink Wireless Presentation Pod.

**MeetingBar A40**



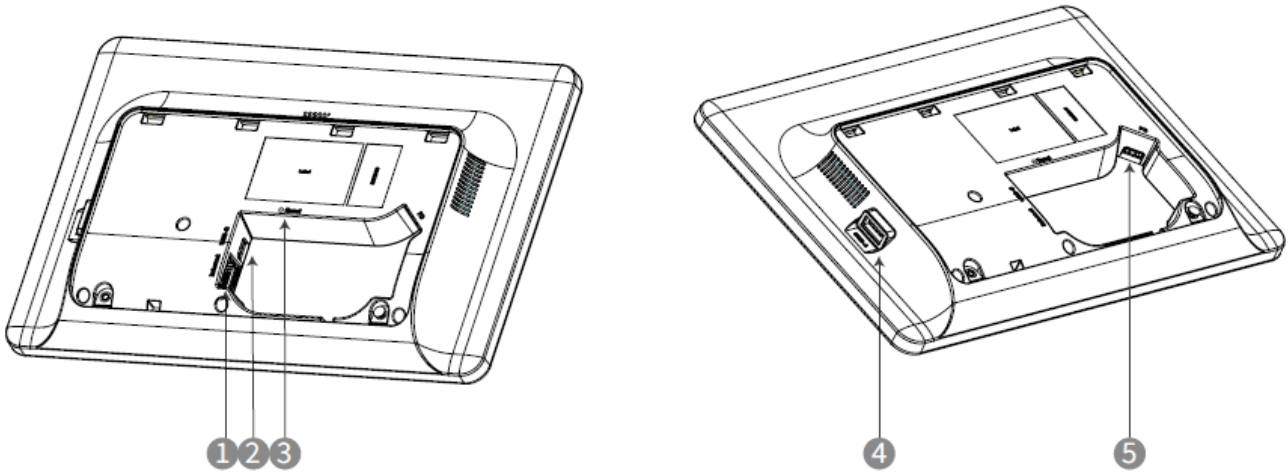
No.	Item	Description
1	Camera	Camera with an electric privacy shutter.
2	LED Indicator	Indicate the device status.
3	Internet Port	Connect to a network device.
4	VC Hub/Phone Port	- If you want to use wired sharing to present, connect this port to the PoE port on the VCH51 video conferencing hub. - This port can also be connected to the microphone to optimize the audio experience.
5	DC48V	Connect to a power source via a power adapter.
6	HDMI 1 Port&HDMI 2 Port	- Connect to a display for video image output. - You need to use HDMI 1 Port first when using only one display. Otherwise, the A40 cannot output images.
7	USB-C (on the back of the device)	Connect with a USB-C cable to use BYOD.
8	USB-A Port	Connect to a USB accessory, such as a mouse.
9	Line-in Port/Line-out Port	Connect to an audio output/input device via an audio cable (3.5 mm).
10	Reset Key	Reset the MeetingBar A40 device to factory defaults.
11	Security Slot	Allow you to connect a universal security cable to the device, so you can lock the device down. The device cannot be removed when locked.

**CTP18**



No.	Item	Description
1	VCH Port	It can be powered by a PoE power adapter to transmit the network and data simultaneously.
2	Type-C Port	For developers to debug.
3	Reset Key	Reset the CTP18 device to factory defaults.

**CTP25**



Number	Hardware Interface	Description
1	Internet	Connect to an endpoint, network, or PoE switch that meets the specifications of 802.3af and above.
2	USB-C	Connect to a PC for content sharing. When connected to a PD power adapter, CTP25 can power the PC.
3	Reset	Reset the CTP25 to factory defaults.
4	USB-A	Reserved interface.
5	PD	Connect to a PD power adapter.

**MeetingBar LED Indicator**

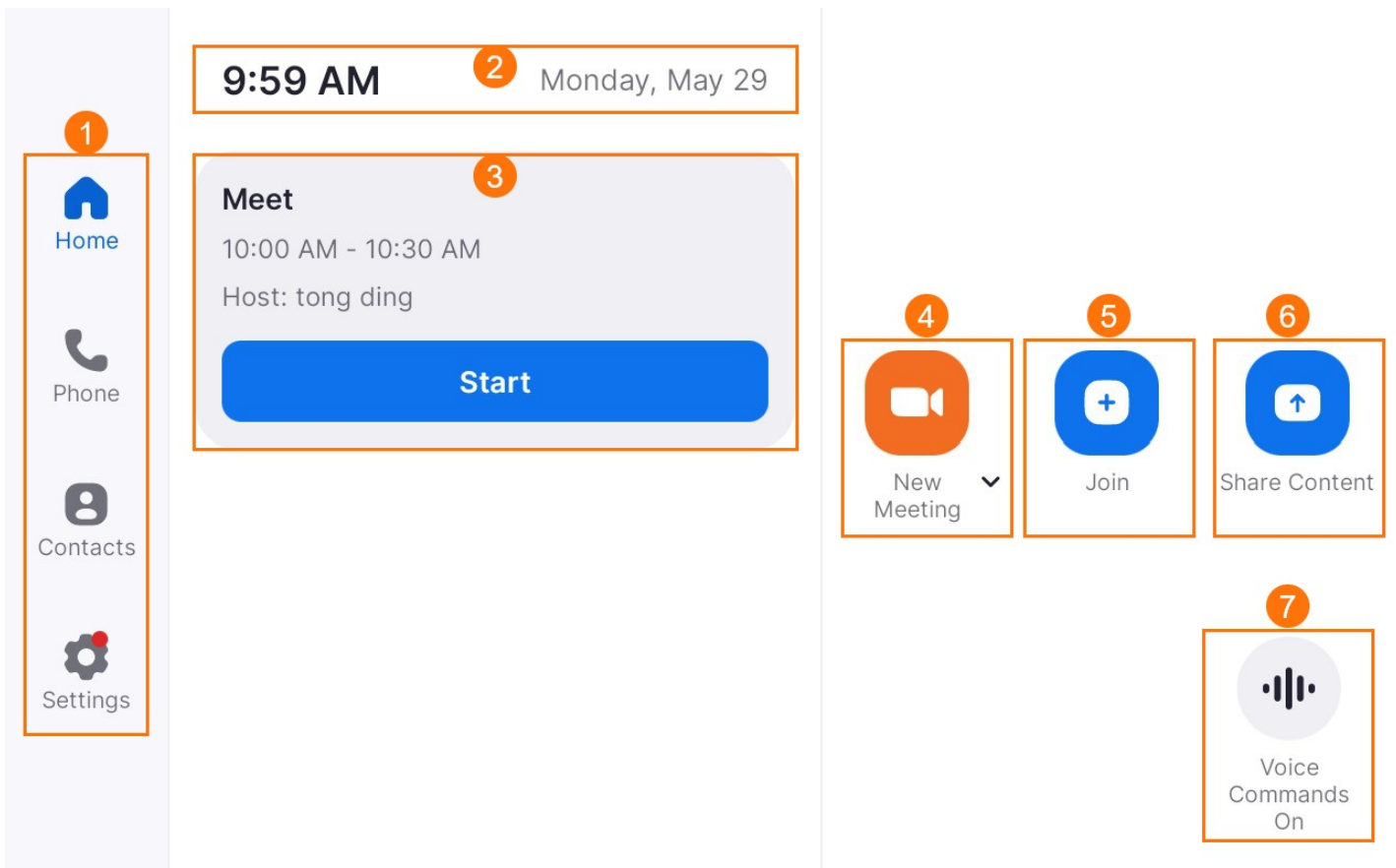
LED Status	Description
Off	The device is powered off or is not connected to a power adapter.
Solid green	-The device is initializing. -The device is working (calling/sharing content).
Flash green	The device has incoming calls.
Solid red	The device is muted.

Solid orange	The device is in idle status.
Flash orange	The device is upgrading firmware.

### Familiarize Interface

**NOTE**  
 Before powering the system for the first time, please refer to [MeetingBar](#) to complete the initial configuration.

### Home Interface



No.	Description
1	Control access to different pages: Home/Phone/Contacts/Settings. - Home: The current page where you can start a meeting. - Phone: Make a phone call. - Contacts: Call a contact. - Settings: Configure device settings.
2	The local time.
3	Start a scheduled meeting.
4	Start an instant meeting.

5	Join a Zoom meeting by entering a meeting ID.
6	Share content from your laptop or mobile device.
7	Control the device using voice commands.

**Meeting Interface**



No.	Description
1	Meeting Information.
2	Meeting Controls.

**Quick Usage**

When you complete the [Quick Usage](#) and [Quick Setup](#), you can use the meeting room system directly.

Description	Related Document
Start an instant meeting.	<a href="#">Instant Meeting</a>
Join a meeting.	<a href="#">Join Meeting</a>
Invite a member to the meeting.	<a href="#">Invite Participants</a>
Starting sharing via the Yealink Wireless Presentation Pod.	<a href="#">Wireless Content Sharing</a>

Starting sharing via the VCH51/USB-C cable.	<a href="#">Wired Content Sharing</a>
Use the wired device mode.	<a href="#">Wired Device Mode</a>
Camera control.	<a href="#">Camera Control</a>

**FAQ**

**Where are the built-in microphone and speaker on the MeetingBar?**

The built-in microphone and built-in speaker of the MeetingBar A10/A20/A30 are respectively distributed on both sides. The following figure takes the MeetingBar A30 as an example.



The built-in microphones and speakers of MeetingBar A40 are arranged as follows:

